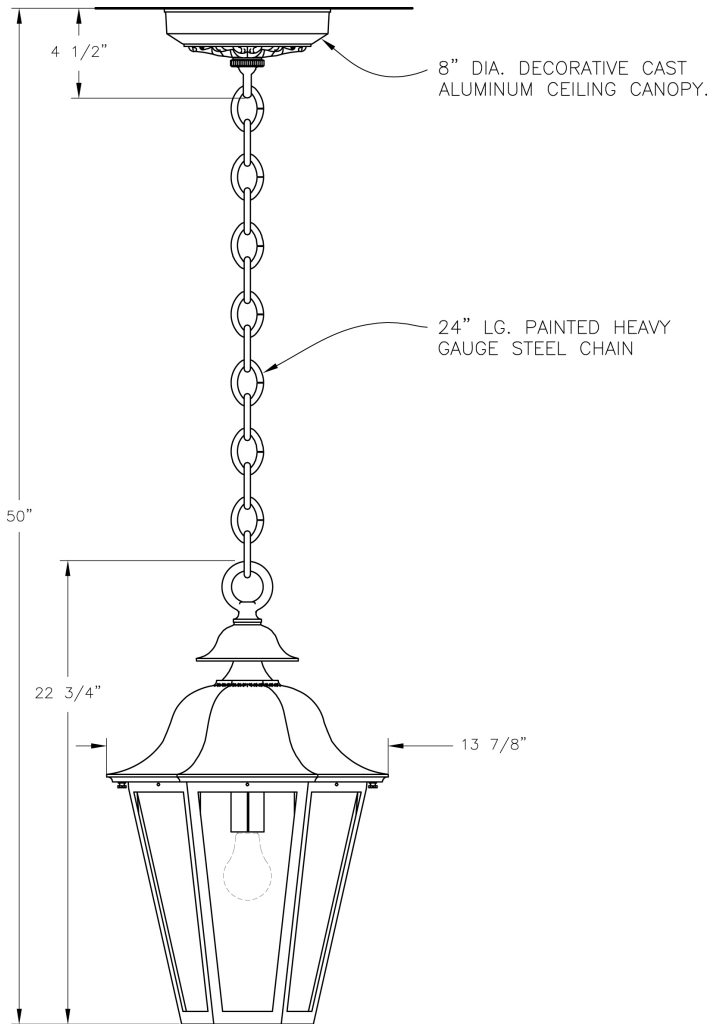


# Large Manor Ceiling Lantern (B5520) Specification Sheet

Project Name:	Location:	MFG: Philips Lighting
Fixture Type:	Catalog No.:	Qty:



## Ordering Guide

Example: B5520 ABS F D

Product Code	B5520	Large Manor Ceiling Lantern
<b>Finish</b>	ABS ACP ARD ASI BLK BRN BRZ FGN GRA IRN RBZ SRT VBZ VCP VGN VTC WBZ WHT	Antique Brass Antique Copper Antique Red Antique Silver Black Brown Bronze Forest Green Granite Ironstone Rustic Bronze Shadow Rust Verde Bronze Verde Copper Verde Vintage Copper Weathered Bronze White
<b>Panel/Globe</b>	F C E B D P M Q H L J G A K	Frosted Glass (standard) Clear Seeded Acrylic Clear Textured Acrylic Opal Acrylic Bronze Tone Acrylic Clear Polycarbonate Opal Polycarbonate Prismatic Polycarbonate Opalescent Honey Glass White Iridescent Clear Beveled Glass Clear Glass Clear Acrylic Clear Seeded Glass
<b>Lamping</b>	D C3	Medium Base B1-3 light cluster

## Specifications

### CONSTRUCTION:

Cast aluminum hex roof secured with thumbscrews. Cast aluminum hex cage with open bottom. Cast aluminum ceiling canopy. 24" long painted steel chain attached to cast aluminum loop. Painted loop & screw collar.

### FINISH:

Resilient TGIC thermoset polyester powdercoat paint is electrostatically applied to every fixture. Specially formulated for Philips Outdoor Lighting, it provides UV protection, and the highest temperature rating in the industry. In addition to the standard color choices shown, a spectrum of custom colors is available.

### PANELS/LENS/GLOBE:

Set of 6 Frosted Glass (FG) panels (standard). Higher wattages may be used only with glass panels installed.

### LAMPING:

# Large Manor Ceiling Lantern (B5520) Specification Sheet

Project Name:	Location:	MFG: Philips Lighting
Fixture Type:	Catalog No.:	Qty:

B1-3 light candelabra (C3), 25W max per candelabra. Or medium base socket (D), 100W max. Lamp(s) not included. Higher wattages used only with glass panels.

**ELECTRICAL ASSEMBLY:**

Fixture is pre-wired with 18 AWG black, white, and ground wires. Lantern will be prewired and tested. All electrical components are ETL listed.

**MOUNTING:**

Mounting Hardware is supplied. See template for dimensions & mounting instructions.

**WARRANTY:**

Lifetime limited warranty.

**CERTIFICATIONS:**

ETL Listed to U.S. safety standards for damp locations. cETL Listed to Canadian safety standards for damp locations.

**Height:**

50"

**Width:**

13 7/8"

**Max. Weight:**

15 lb.